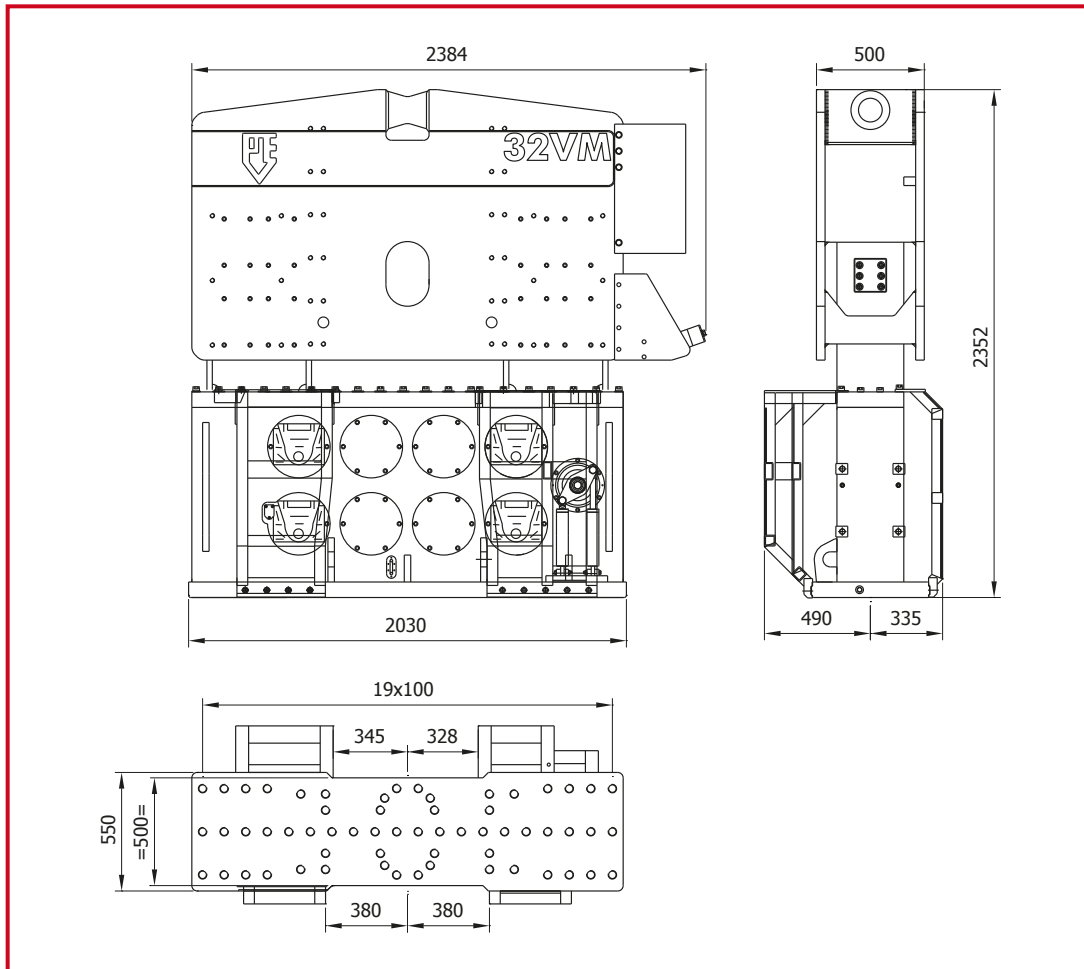


► ICE / PVE Vibrator Set

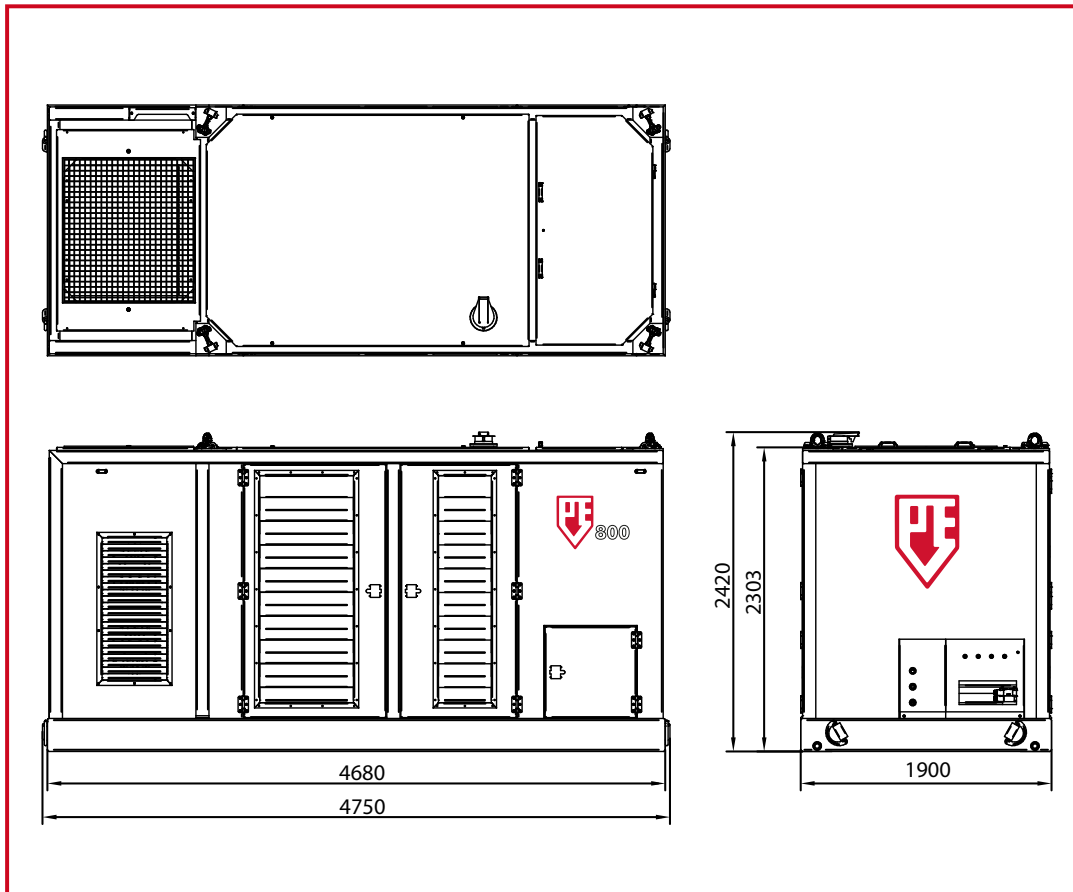
■ PVE 32 VM *Vibratory Hammer*



Specifications		32VM	
Eccentric moment	0-32 kgm	Clamps:	
Max. centrifugal force	0-1856 kN	Sheet pile clamp	DWK 350T
Max. frequency	2300 rpm	Transport weight per piece	2600 kg
Max. amplitude excluding DWK 350T	15 mm	Double clamps	PPK 125T
Max. amplitude including DWK 350T	9.3 mm	Transport weight per piece	900 kg
Max. static line-pull	500 kN	Powerpack:	
Max. operating pressure	350 bar	Model	800
Max. oil flow	740 l/min	Hose set:	
Forced lubrication	yes	Length	45 m
Dynamic weight excluding DWK 350T	4300 kg	Transport weight (±)	1540 kg
Dynamic weight including DWK 350T	6900 kg		
Total weight excluding DWK 350T & hoses	6800 kg		

► ICE / PVE Vibrator Set

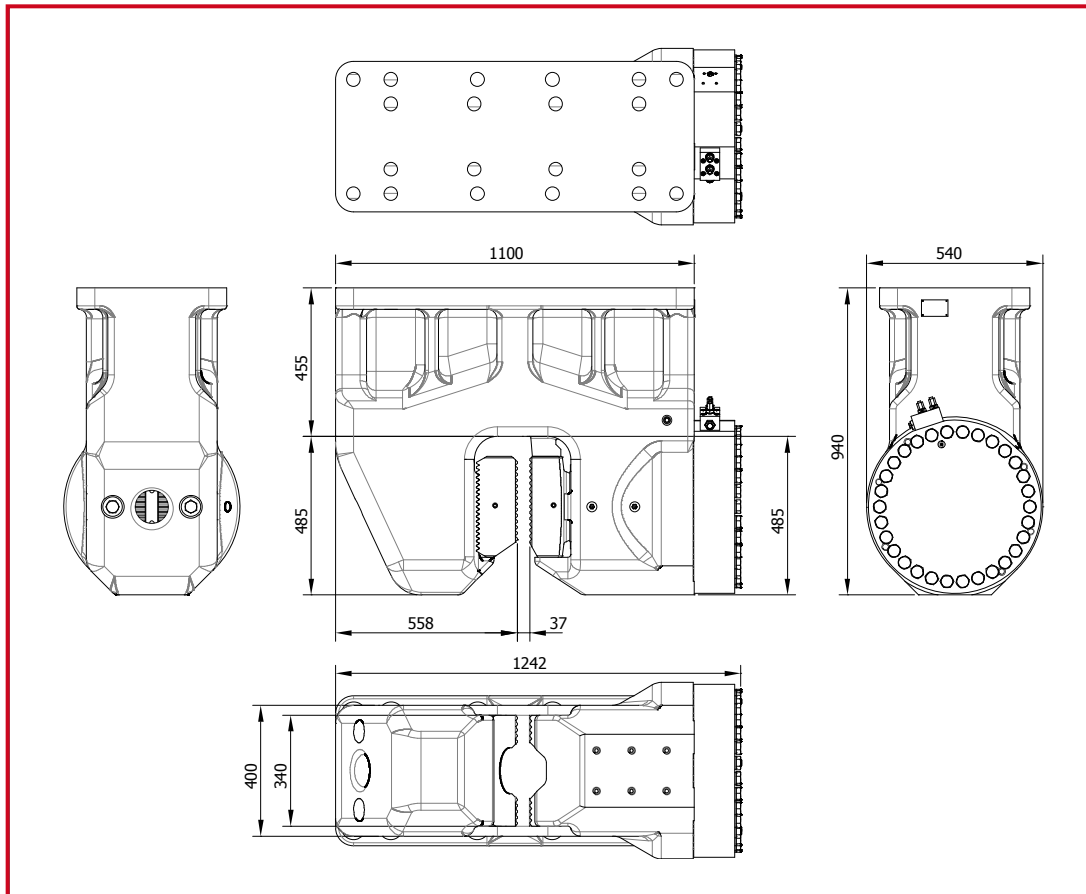
■ PVE 800 PP *Hydraulic Power Pack*



Specifications	800
Diesel engine	Caterpillar C18
Max. theoretical power	563/755 kW/HP
Max. frequency	1800 rpm
Max. operating pressure	240 / 260 /350 bar
Hydraulic pump	Rexroth
Max. oil flow	800 L/min
Diesel oil	755 L
DEF (AdBlue) capacity	- L
Hydraulic oil	1600 L
Weight without fuel	8060 kg
Weight filled up	8700 kg

► ICE / PVE Vibrator Set

■ PVE 350 T *Universal Clamp*



Specifications	Technische Daten	Spécifications	Specificaties	Especificacions
Sheet pile clamp	Spundwandzange	Pince palplanches	Damwandklem	Hoja abrazadera pila
Clamping force	3500 kN	Klemmkraft	Force de serrage	Klemkracht
Max. operating press.	320 bar	Max. Betriebsdruck	Pression de travail max.	Fuerza de sujeción
Max. clamp open press.	120 bar	Max. Druck Zange Offen	Pression pince ouvert max.	Max. werkdruk
Weight	2600 kg	Gewicht	Max. klem open druk	Presión abrazadera abierto máx.
		Poids	Gewicht	Peso