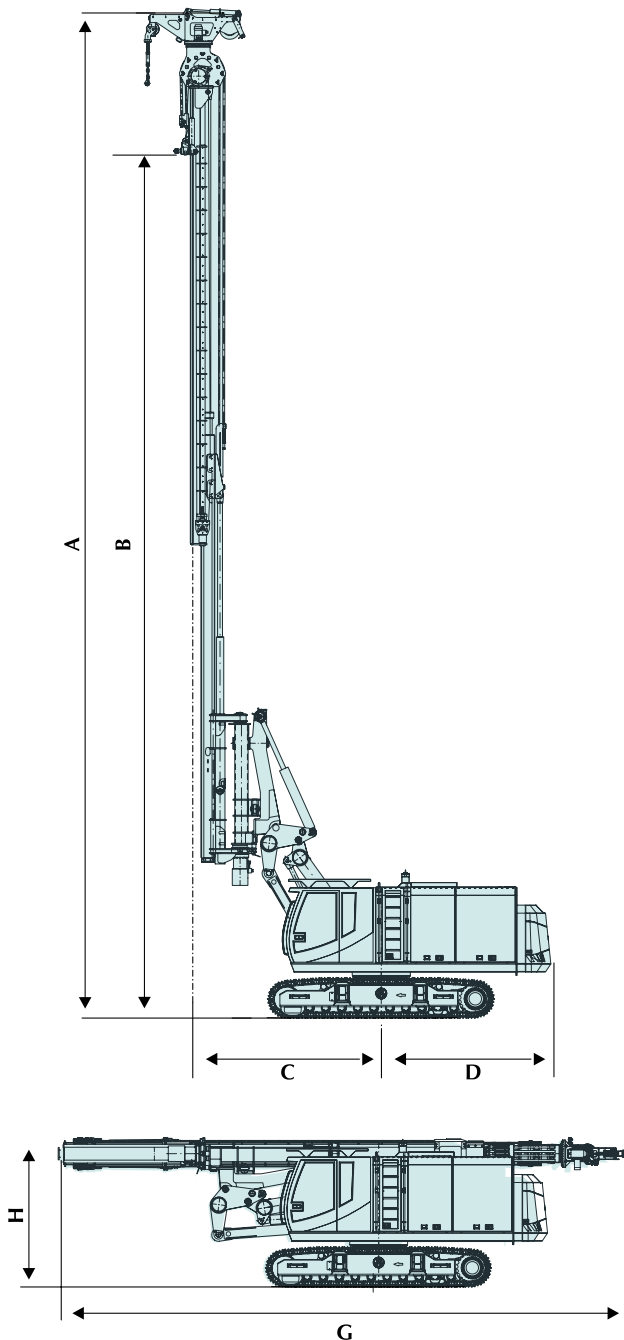


► ABI Mobilram

■ TM 14/17 V



Technical data	Unit	TM 14/17 V
Leader inclination front/rear	degree max.	4/5
Leader inclination laterally	degree max.	4
Leader slewing range	degree max.	+/- 93
Prestressing force leader cylinder	kN max.	120
Extraction force leader cylinder	kN max.	200
Load capacity	kg max.	10000
Torque absorption	daNm	10000
Auxiliary winch lifting capacity	kN max.	50
Auxiliary winch rope speed	m/min	35
Weight - depending on carrier unit**	t approx.	50 - 54
VIBRATOR		MRZV 20 VV
Dimension		
A Height min./max.	mm	12200 - 22685
B Max. height up to rapid changing device	mm	19500
C Center to guide	mm	3850 - 4950
D Center to back underground lowering depth	mm	3700 - 4000 1600
E Leader mast guide width	mm	500
F Leader mast width	mm	50
G Length / transport	mm	12500
H Height / transport	mm	3400
Width / transport	mm	3000

BASE CARRIER	Unit	SR 35 T-E
ENGINE		
CAT C18		
Engine power	kW	470
EU Stage Tier 4 final		
Hydraulic flow rate	cm ³	2 x 210 1 x 95, 1 x 80
Nominal oil pressure	MPa	33
Fuel tank capacity	l	810
Standard undercarriage		
Pulling force	kN	450 / 540
Track gauge	mm	2300 - 3800
Outriggers - / Track shoes width	mm	700*

*Optional track shoes width 800, 900 mm