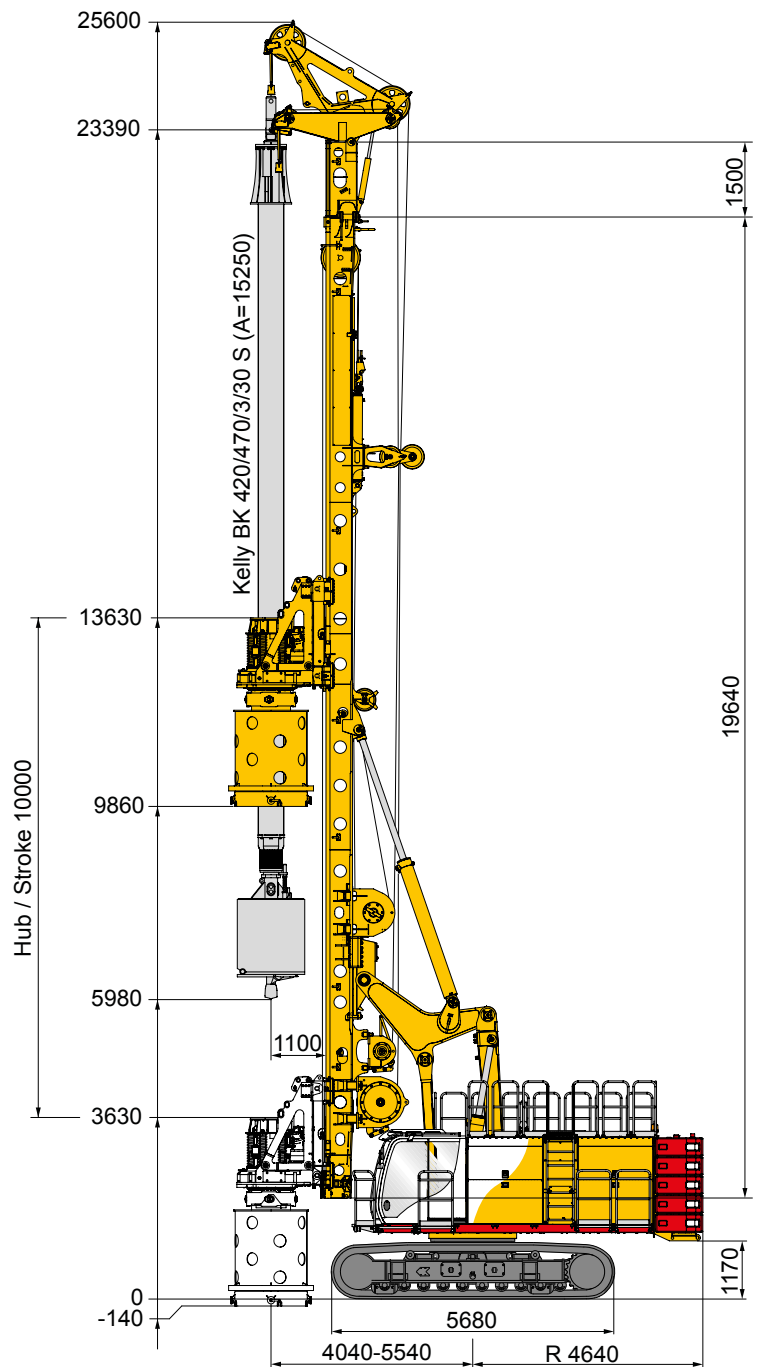


► BAUER Rotary drilling rigs

■ BG 36 H

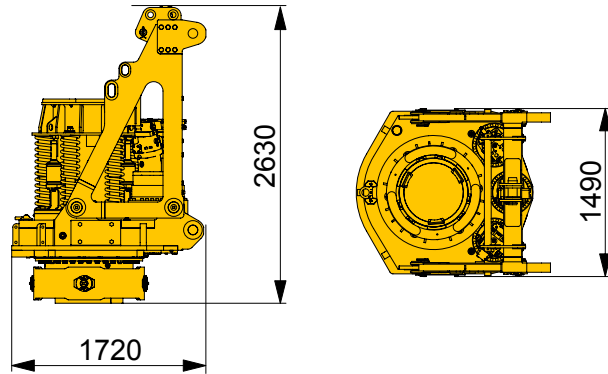
Technical data BG 36 H - BS 95

Overall height	27.099 mm
Operating weight (approx.) (as shown)	118 t
Rotary drive	KDK 365 S
Torque (nominal) at 350 bar	365 kNm
Speed of rotation (max.)	52 rpm
Crowd winch	
Crowd force push / pull, effective	400 / 400 kN
Crowd force push / pull (measured at the casing drive adapter)	350 / 315 kN
Speed (down / up)	7,2 / 7,2 m/min
Fast speed (down / up)	26,4 / 26,4 m/min
Main winch	multi-layer
Winch classification	M6 / L3 / T5
Line pull (1 st layer) effective / nominal	290 / 367 kN
Rope diameter	32 mm
Line speed max	75 m/min
Auxiliary winch	multi-layer
Winch classification	M6 / L3 / T5
Line pull (1 st layer) effective / nominal	80 kN / 100kN
Mast inclination	
Backward / forward / lateral	15° / 5° / 5°



► BAUER Rotary drilling rigs

Rotary drive	
KDK 385 S	
Weight c/w sledge	7,2 t



Base carrier BS 95	CAT C15
---------------------------	----------------

Motor	
Rated output ISO 3046-1	403 / 1.850 rpm
Engine conforms to EEC 97/68 EC	Stage IV Tier 4 final
Diesel tank / AdBlue Tank	840 / 35 l
Ambient air temperature (at full power)	bis 45 °C
Sound pressure level in cabin (EN 791, Anh. A)	LPA 80 dB(A)
Sound power level (2000/14/EG u. EN 791, Anh. A)	LWA 112 dB(A)

Hydraulic system	dual hydraulic circuit system for drilling
Hydraulic power output (measured at inlet to rotary drive)	315 kW
Hydraulic pressure	350 bar
Flow rates	2 x 425 + 1 x 565 + 1 x 215 l/min
Hydraulic oil tank capacity	1.000 l

Undercarriage (Retractable crawler frames)	UW 110
Crawler type	B 7
Track width (retracted/extended)	2.600 / 3.800 mm
Overall width of crawlers (retracted/extended)	3.400 / 4.600 mm
Width of triple grouser track shoes	800 mm
Overall length of crawlers	5.680 mm
Traction force (effective)	740 kN

Drilling data	
Drilling diameter for drill axis 1.100 mm uncased / cased	1.900 / 1.600 mm

