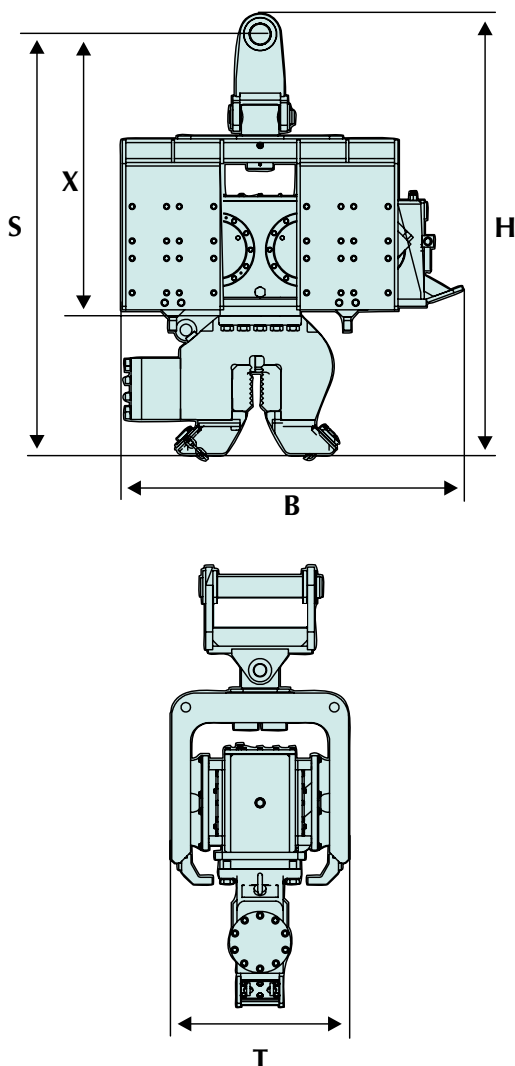


► ABI Add-on vibrators

For smaller projects ABI offers attachments for hydraulic excavators. The add-on **vibrator HVR** is mounted at the dipper stick of a hydraulic excavator boom and driven by its hydraulic system.

Apart from characteristics like very short starting and stopping times, high revolutions, low noise level as well as low weight and high centrifugal forces, the HVR is characterised by a short design height. This advantage appears particularly in buildings, under bridges or power lines. Little usable length is lost due to its small design height. The add-on vibrator is used for piling and extracting sheet piles, trench sheets, steel beams and girders, pipes and casings as well as full displacement sections.



■ HVR 85

Technical data	Unit	HVR 85
Static moment	kgm	8,5
Dynamic mass	kg	1480
Nominal revolutions	min ⁻¹	2300
Centrifugal force at nominal frequency	kN	500
Static extraction force max.	kN	80
Nominal oil pressure	MPa	32
Hydraulic flow rate	l/min	245
Hydraulic power at p max.	kW	130
Total weight / transport weight	kg	2055 / 2275
Weight of pile elements	kg	1500

Dimension / mm	HVR 85
H Height	1865
B Width	1445
T Depth	750
S Locking to bottom	1430
X Locking to vibrator body	845
Z Excavator connection standard	352
Transport dimensions	H / B / T
	1965 / 1480 / 1030