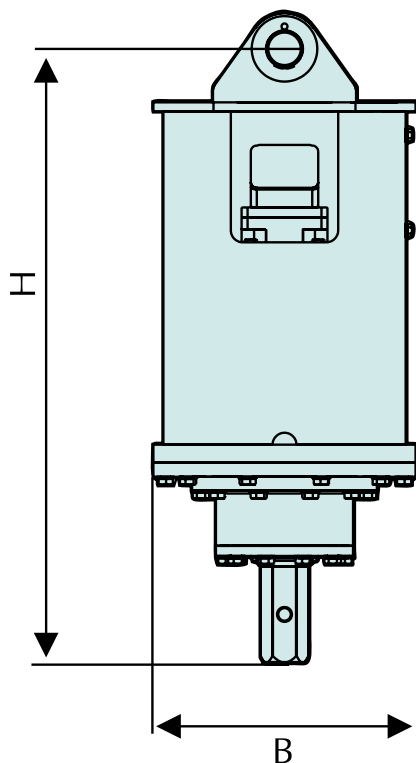


► ABI Add-on auger drives

The **auger drive BA** or the **auger drive DBA** with passage can be operated on common hydraulic excavators. Together with casing twister cased boreholes installation is possible.

For the production of CFA piles a swivel for concreting must be mounted to the auger drive, so that immediate concreting is possible during the pulling procedure. The auger drive can be applied for ground release drilling, ground investigation, soldier pile installation, displacement augering, CFA piles, injection and soil improvement for foundations.



■ BA 400

Technical data	Unit	BA 400
Torque	daNm	400
Revolutions	min ⁻¹	118
Static extraction force max.	kN	80
Hydraulic flow rate	l/min	130
Required hydr. power	kW	50
Nominal oil pressure	MPa	30
Total weight / transport weight	kg	280 / 380
Hexagon connection	mm	70

Dimension	Unit	BA 400
H1 Height	mm	1295
H2 Locking to bottom	mm	1125
B Width	mm	515
T Depth	mm	380
Transport dimension H / B / T	mm	1445 / 850 / 710