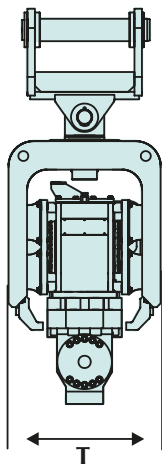
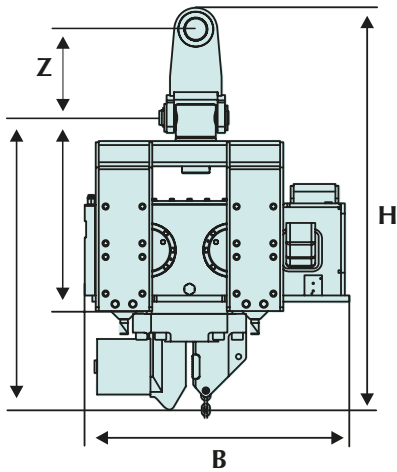




ABI Add-on Vibrators HVR

For smaller projects ABI offers attachments for hydraulic excavators. The **add-on vibrator HVR** is mounted at the dipper stick of a hydraulic excavator boom and driven by its hydraulic system.

Apart from characteristics like very short starting and stopping times, high revolutions, **low noise level** as well as **low weight** and **high centrifugal forces**, the HVR is characterised by a **short design height**. This advantage appears particularly in buildings, under bridges or power lines. Little usable length is lost due to its small design height. The add-on vibrator is used for **piling and extracting sheet piles, trench sheets, steel beams and girders, pipes and casings** as well as **full displacement sections**.



ABI Add-on Vibrator HVR 30

Technical data	Unit	HVR 30
Static moment	kgm	3
Dynamic mass	kg	565
Nominal revolutions	min ⁻¹	3000
Centrifugal force at nominal frequency	kN	300
Static extraction force max.	kN	40
Nominal oil pressure	MPa	32
Hydraulic flow rate	l/min	90
Hydraulic power at p max.	kW	50
Total weight / transport weight	kg	890/975
Weight of pile elements	kg	500

Dimension / mm	HVR 30
H Height	1560
B Width	850
T Depth	610
S Locking to bottom	1120
X Locking to vibrator body	740
Z Excavator connection standard	352
Transport dimensions h / b / t	1670/1000/660