

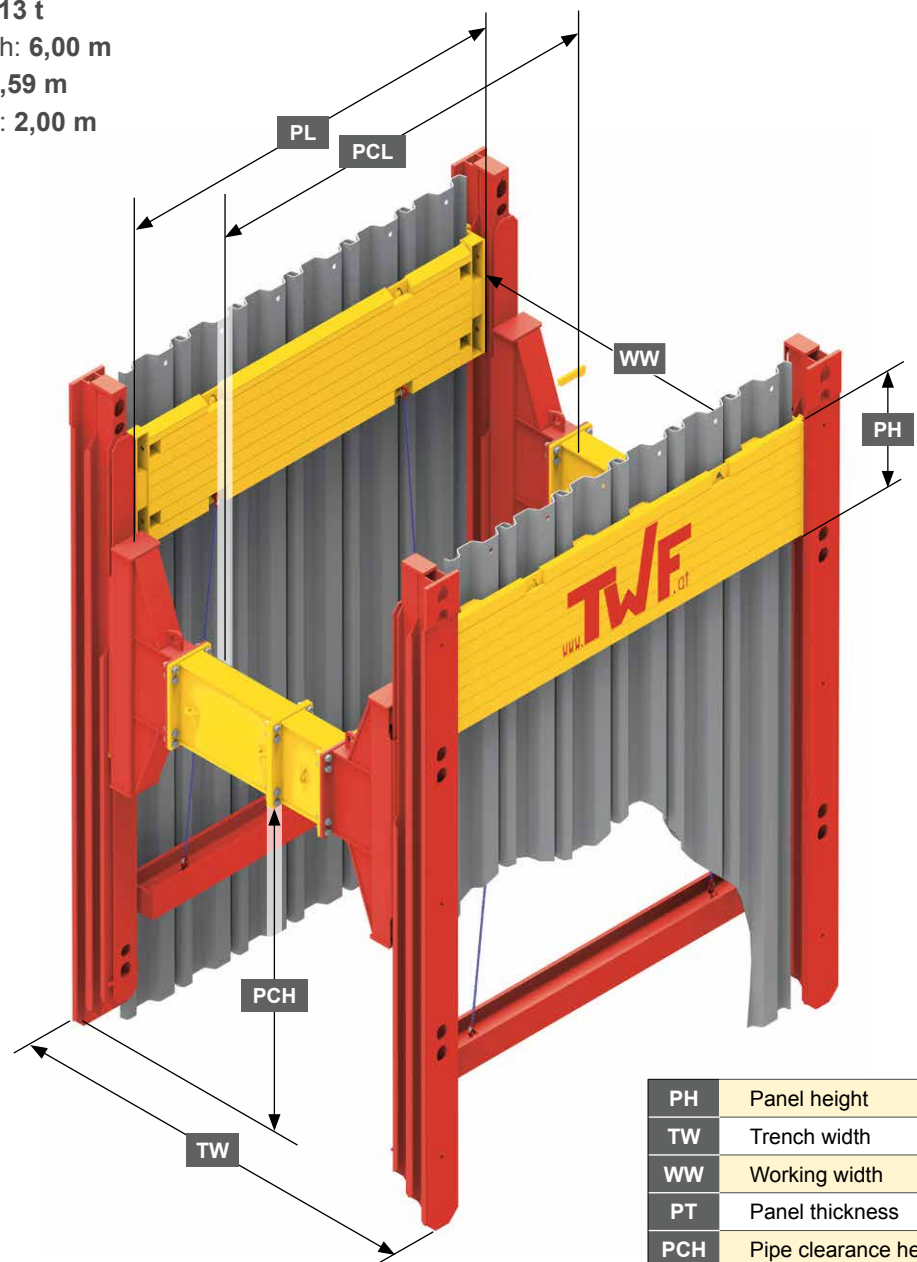
► TWF Trench Shoring Systems

■ Pile Chamber Type 400

- Combined System (panels and trench sheets) applicable where **supply lines are crossing**. Also possible as pile chamber box.
- Installation by **lower and cut method** in unstable soils
- Mobile excavator: **9 - 13 t**
- Maximum trench depth: **6,00 m**
- Trench width: **1,30 - 4,59 m**
- Pipe clearance height: **2,00 m**



End hooks for steel walings
special solution



PH	Panel height
TW	Trench width
WW	Working width
PT	Panel thickness
PCH	Pipe clearance height
PL	Panel length
PCL	Pipe clearance length



► Pile Chamber Type 400

Panel length PL (m)	Panel height with guide PH (m)	PC-length PCL (m)	Quantity Trench sheets (n / panel)	Permissible beam load (kN/m)	Weight Panel (kg)	Weight Box (kg)
---------------------	--------------------------------	-------------------	------------------------------------	------------------------------	-------------------	-----------------

► PC Type 100 with light weight spindle „B“ + Trench sheets KD 4

2,10	0,60	1,70	5	45,70	260	594
2,50	0,60	2,10	6	30,56	307	688
2,90	0,60	2,50	7	21,86	350	774

► PC Typ 400 with standard spindle + Trench sheets KD 6*

2,80	1,00	2,50	5	132,80	628	1516
3,40	1,00	3,00	6	90,04	738	1736
3,90	1,00	3,50	7	67,82	833	1926

► PC Typ 400 for slide rails + Trench sheets KD 6

2,00	1,00	1,80	3	223,06	480	
2,50	1,00	2,30	4	169,54	565	
3,00	1,00	2,80	5	116,02	660	
3,50	1,00	3,30	6	80,52	770	
4,00	1,00	3,80	7	61,53	865	
5,00	1,00	4,80	9	69,52	1480	

* Design with KD 4 on request.

► Other lengths and inner panels 180 mm are available on request!

■ Standard Spindle

Number intermediate pipe	Working width WW (m)		Trench width TW (m)	Safe working load (kN)	Weight complete (kg)
	Trench sheets	Inner panels			
0	1,00 – 1,29	0,76 – 1,05	1,30 – 1,59	468	65
1	1,50 – 1,79	1,26 – 1,55	1,80 – 2,09	403	86
2	2,00 – 2,29	1,76 – 2,05	2,30 – 2,59	348	107
3	2,50 – 2,79	2,26 – 2,55	2,80 – 3,09	299	128
4	3,00 – 3,29	2,76 – 3,05	3,30 – 3,59	254	149
5	3,50 – 3,79	3,26 – 3,55	3,80 – 4,09	210	170
6	4,00 – 4,29	3,76 – 4,05	4,30 – 4,59	165	191

