



FOR SALE!



ICE VIBRATOR 6 RFB EXCAVATOR MOUNTED VARIABLE MOMENT

> 1 ICE Vibrator 6 RFB

With universal clamp 60 TU

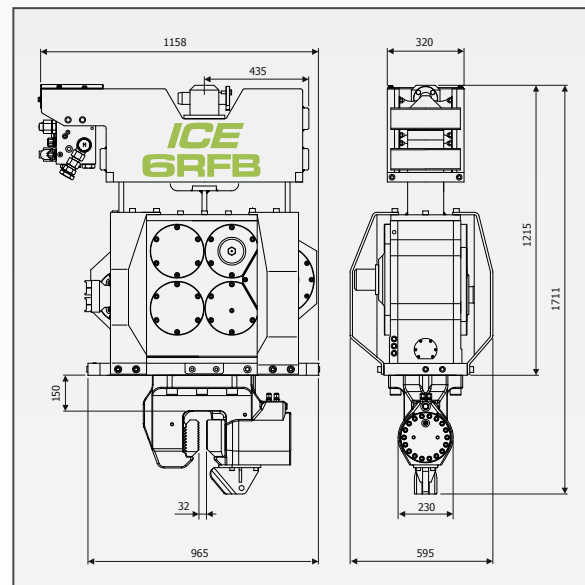
YOM 2019

Demo unit

Technical data:

Eccentric moment:	0 - 6.5 kgm
Max. centrifugal force	0 - 377 kN
Max. frequency	2.300 rpm
Max. amplitude incl. 60 TU	10.7 mm
Max. static line-pull	120 kN
Hydraulic flow	138 l/ min
Max. operating pressure	350 bar
Forced lubrication	yes

Condition: Demo unit - like brand new!



Prior to Sales all machines will be **checked and tested** according to the **manufacturer's instructions**. **§11 AM-VO**

USED FOUNDATION EQUIPMENT