



**FOR SALE!**



## ICE VIBRATOR 625 B EXCAVATOR MOUNTED

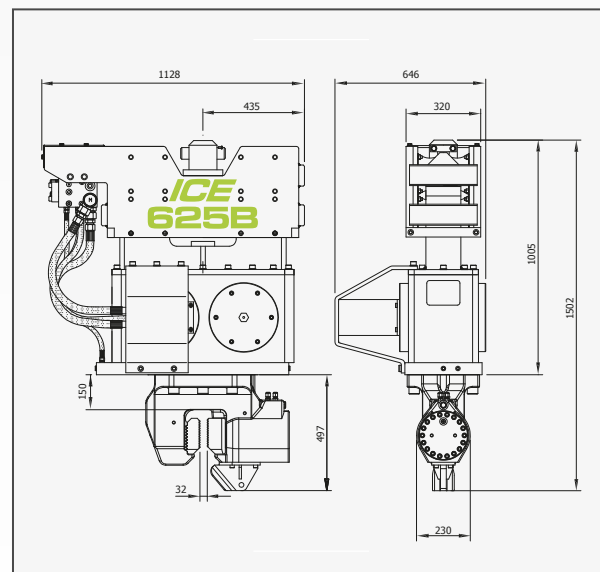
### >1 ICE Vibrator 625 B

With universal clamp 60 TU  
YOM 2019

#### Technical data:

Eccentric moment:	6.0 kgm
Max. centrifugal force:	411 kN
Max. frequency:	2.500 rpm
Max. amplitude incl. 60 TU:	13.2 mm
Max. static line-pull:	120 kN
Hydraulic flow:	201 l/min
Max. operating pressure:	350 bar

**Condition: Brand new!**



Prior to Sales all machines will be **checked and tested** according to the **manufacturer's instructions**. **§11 AM-VO**

# USED FOUNDATION EQUIPMENT