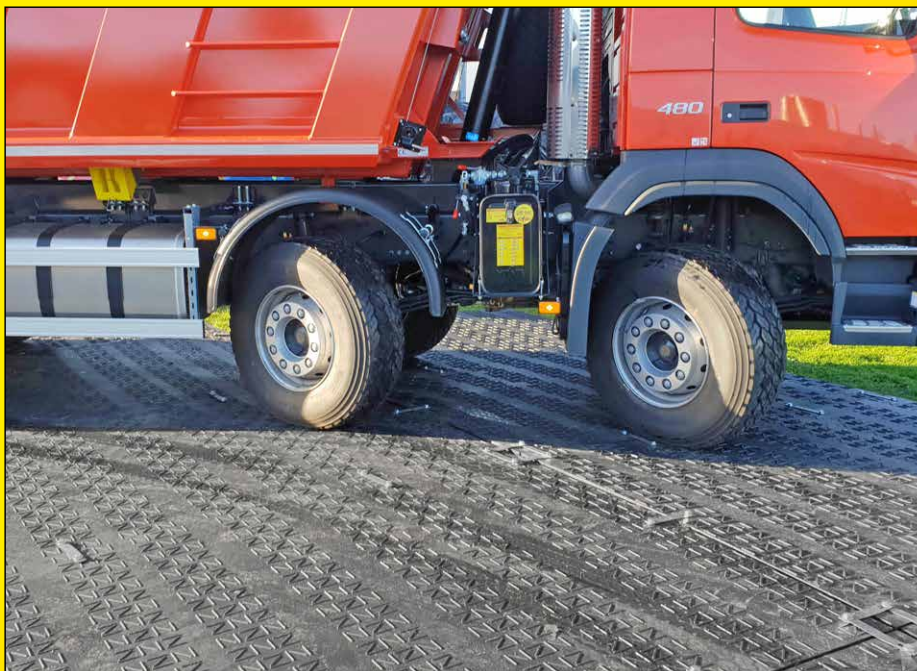


TWF TIEFBAUTECHNIK

Rental | Sales | Service



MRS - HEAVY

Temporary and Mobile ground protection systems

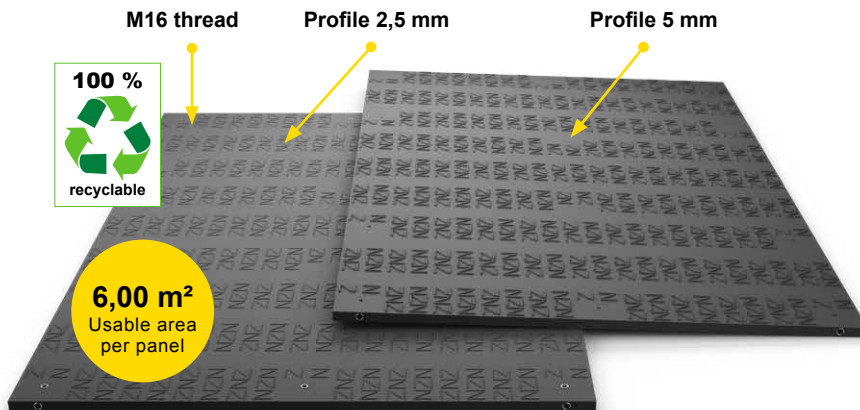
www.twf-tiefbautechnik.de

www.twf.at

OPERATING MANUAL

► MRS Heavy - Operating Manual

■ MRS Heavy



► Properties

The **MRS - heavy** ground protection panels are screwed together, creating a permanently connected driveway or work platform for heavy loads in both length and width loads and vehicles are created. The load-bearing capacity of the subsurface is significantly optimized.

Material: polyethylene, high molecular weight

Dimensions: 3000 x 2000 x 45,5 mm (incl. Profile)

Weight per panel: approx 221 kg

Surface / Colour: 5,0 & 2,5 mm profile / black-coloured

Load capacity: approx 160 t

(depending on the ground conditions)

Transport per truck: 100 units (600 m²)

- **Lower transportation costs with MRS - heavy** panels. They are easier to transport than most alternative road mats for temporary use.



Mobile crane working spaces



Heavy load transports



Mobile logistics



Wind power construction



Temporary walkways



Road construction and access routes



Transmission



Concerts and events



Mobile parking spaces



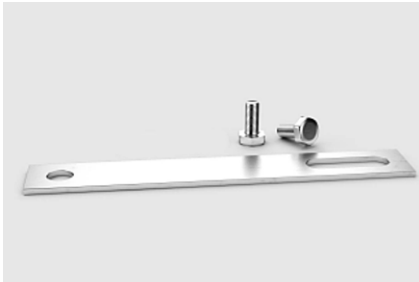
Tent floors



► MRS Heavy - Operating Manual

■ MRS Heavy - Accessories

The **MRS - Heavy Ground Protection Panels** are easy to transport with a forklift (using a **load handling device** and a **four-strand chain sling**) and quickly connected with **M16 screws**.



■ Metal Connectors (Universal) M16 Screws

The metal connectors are used to screw ground protection panels together.

Weight: 0.285 kg

Order No.: 50 100 001



■ Load Handling Devices

Load capacity 4 pieces each: 500 kg

Load capacity 1 piece each: 170 kg

This load handler is mandatory for MRS - Heavy.

Weight / piece 0.462 kg

Weight / set (4 pieces): 1.85 kg

Order No.: 50 500 000



MRS Heavy - Ramps

■ 2000 mm length

with 3 screw holes

Weight: 15 kg

Order No.: 50 500 001

■ 3000 mm length

with 4 screw holes

Weight: 23 kg

Order No.: 50 500 002



► MRS Heavy - Operating Manual

Laying the panels (dismantle panels in reverse order)

Unloading from lorries:

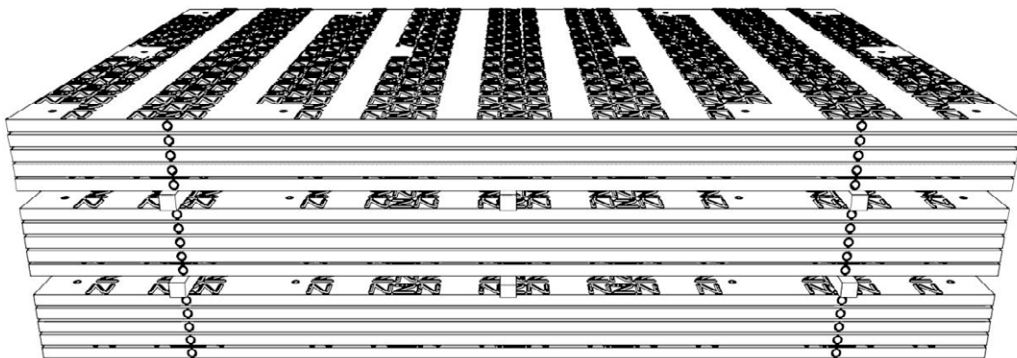
There are two ways of unloading the panels:

- The panels can be unloaded with a forklift. Care should be taken to ensure that the forks are long enough (at least 180 cm) and that the individual panels are secure to stop them falling.
- The panels can be unloaded and installed by a lorry crane, using a chain hanger.

Storage:

The panels should be stacked no more than 5 per stack. It is advisable to stack no more than 4 stacks on top of each other.

Each five-panel stack should rest on 10 mm thick square timbers. It is advisable to place 3 square timber pieces under each stack to facilitate problem-free handling by forklift.



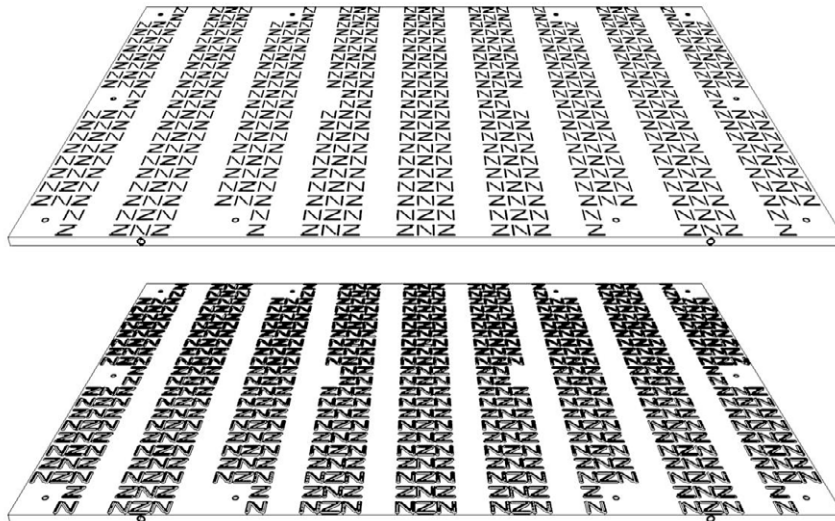
► MRS Heavy - Operating Manual

The panel:

Material: Polyethylene PE500
Dimensions: 2000 mm x 3000 mm x 47 mm
Weight: 225 kg

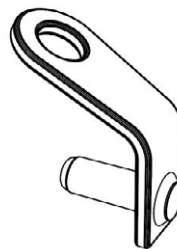
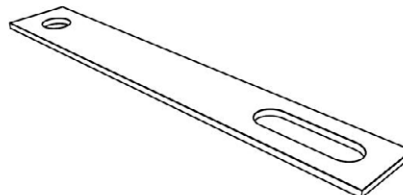
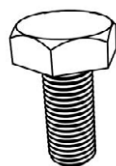
Connection lugs for connecting/bolting the panels together are located on the edge or corners of the panel.

Panels can be used from either side. The upper side with its light profile is ideal for use by pedestrians. The underside has a strong profile and has been optimised to be used by construction vehicles.



Fittings:

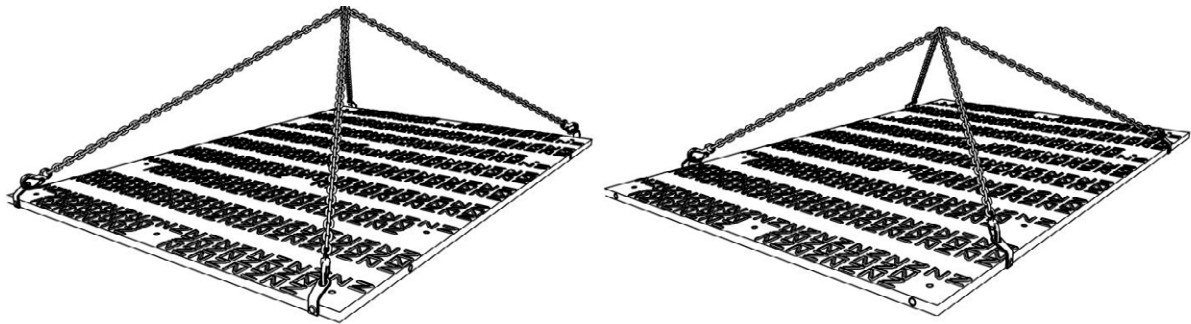
The following fittings are required for laying the panels:
4 x M16 screws
(washers optional)
2 x metal connectors
4 x load-bearing hooks
1 x 4-strand chain sling



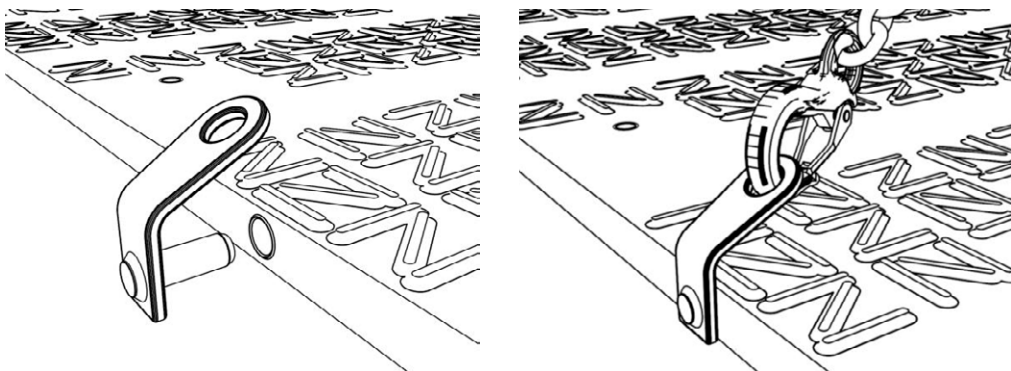
► MRS Heavy - Operating Manual

Laying the panels

Simply secure the panels in the load-bearing lugs provided, using the 4-strand chain sling and the load-bearing hooks and then transport or lay the panels in the desired location with the lorry crane.



Insert the load-bearing hooks in the lifting lugs on the side to be able to move the panel optimally using a chain sling and to bring it into the desired position.



The panel is transported or laid in the desired position by tightening the chain sling so that it can then be bolted.

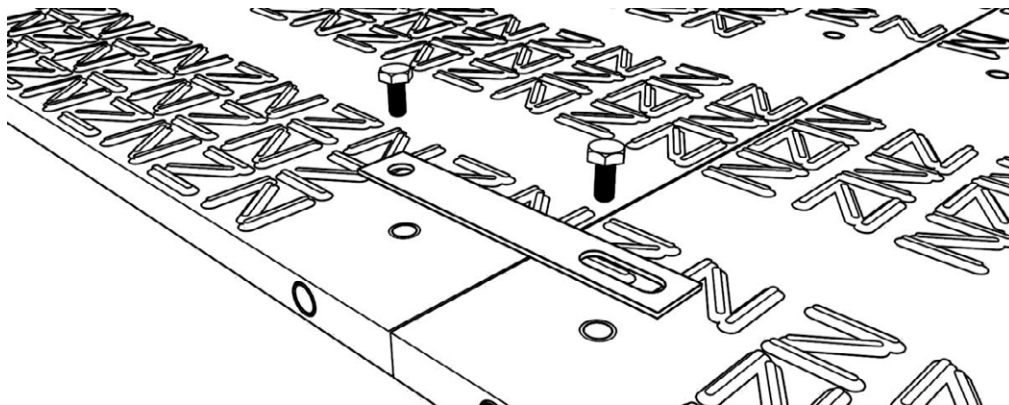
► MRS Heavy - Operating Manual

Laying and bolting panels:

Simply lay panels on top of the floor area to be protected. No pre-treatment of the ground is required.

Laying is best carried out using a forklift or lorry crane with a 4-strand chain sling.

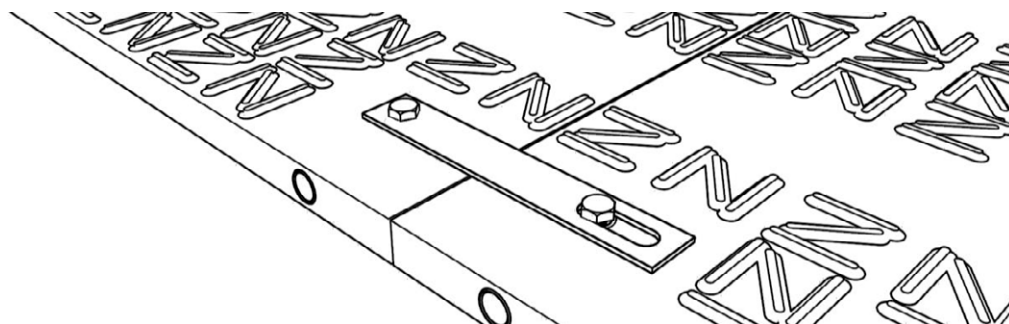
Lay the panels edge to edge and connect them using the metal connector and two M16 screws in the embedded lugs.



Care should be taken when laying the panels to ensure that they have the same profile side facing up.

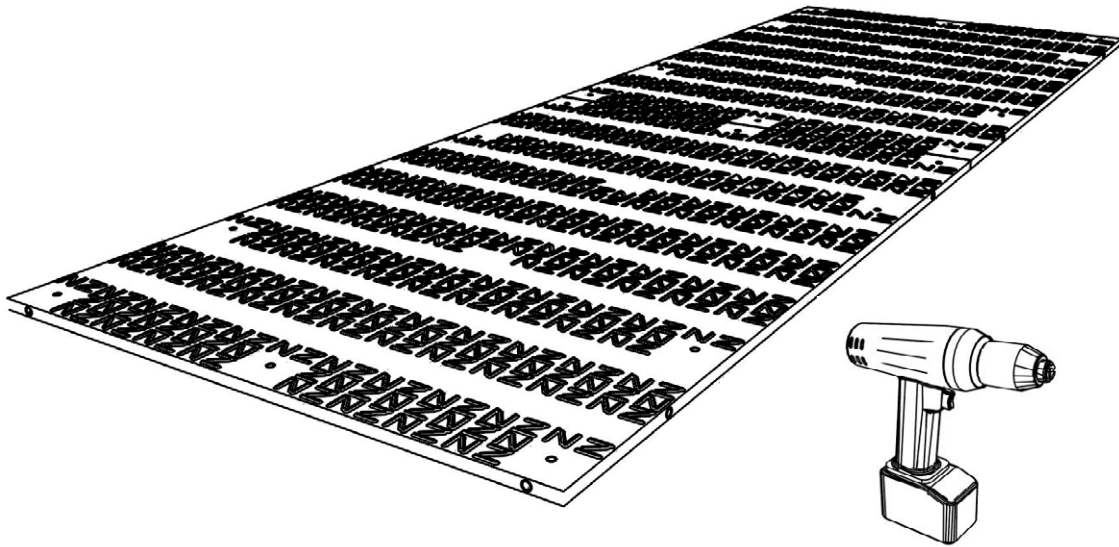
Lay the panels edge to edge and then connect them securely with the appropriate metal connectors and M16 screws.

Depending on the pressure on the panels, it is advisable to make between two and four screw connections.



► MRS Heavy - Operating Manual

Lay the panels next to each other and bolt them to create a construction road or work platform with the desired traction capacity.



It is advisable to use a cordless screwdriver to connect the M16 screw. Alternatively, this can also be done with a hand ratchet. With both assembly options a screw attachment (24 spanner socket) should be used so that the panels can be bolted to the connection lugs provided.

General notes

Surface treatment:

Panels should be cleaned on both sides after use. Panels can be stored in the open air. However, panels should not be exposed to severe temperatures below freezing. No special chemical cleaners or tools are required to clean the panels. A high-pressure cleaner is ideal for cleaning the panels.

Use as a temporary access road

The panels are very well suited for use as a temporary access road in open country. Depending on the underlying surface, panels can withstand a load of up to 160 t/m². The panels can be used by track vehicles. However, track vehicles should use chain guards whenever possible. Avoid rotating track vehicles in place, because depending on the pivot point and speed, panels may be torn apart at the screw connections.

Assembly

If the panels installed globally are relocated, the panels must be dismantled again.

TWF TIEFBAUTECHNIK

Rental | Sales | Service



MRS - HEAVY

Temporary and Mobile ground protection systems

TWF Tiefbautechnik GmbH
Düsseldorfer Straße 2, D-52525 Heinsberg
T: +49 2452 15678-0
F: +49 2452 15678-19
office@twf-tiefbautechnik.de
www.twf-tiefbautechnik.de

TWF International GmbH
Klingerstraße 8, A-1230 Wien
T: +43 1 8653333
F: +43 1 8653333-33
office@twf.at
www.twf.at

OPERATING MANUAL